

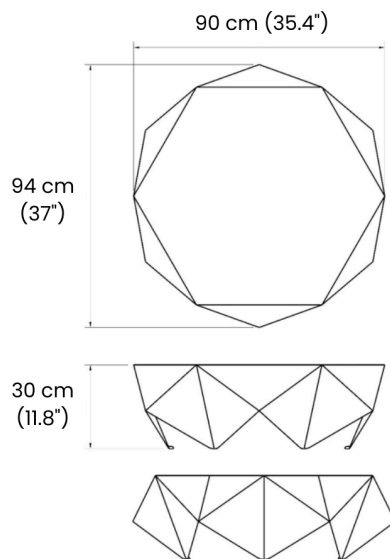


The genesis of the Monolith Lounge Side Table began with a square and through a series of subdivisions and exploratory foldings. This process was allowed to reach a 'moment of serendipity' in which form and function start to take shape.

Color & Finishes: Matt black(powder coated), White(powder coated), Brushed metal

Note: Custom colors and sizes are possible; please contact cs@vermillionlifestyle.com to inquire more.

Dimensions: L94 x W90 x H45 cm



Primary Material: Steel

Primary Color: Black

Customization: This product is not customizable.

